

# Ergo Steel // Table Base

*The removable solution to mount your Ergo Steel // exactly where you need it*

**ERGO**  
TABLE BASE



Shown with the  
Ergo Steel //  
installed

**PRIME**Edge®  
COZZINI CUTTING EDGES  
AND SHARPENING SOLUTIONS

## HES-2-Base Ergo Steel // Table Base

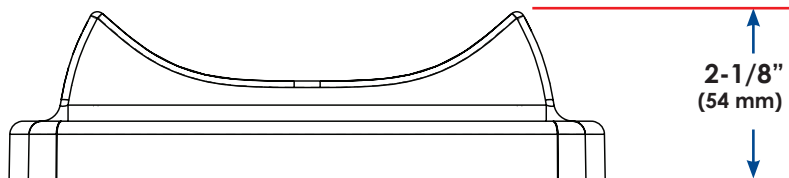
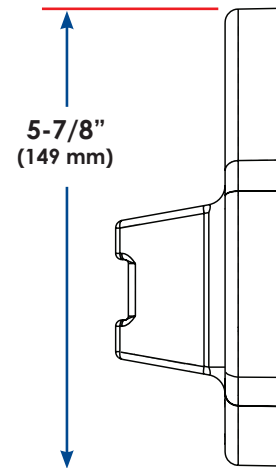
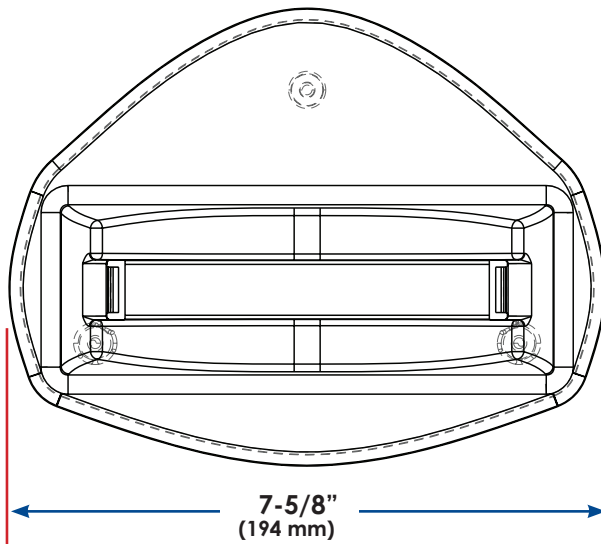
- Holds the Ergo Steel // firmly in place.
- No tools required. The Ergo Steel // “snaps” easily and securely into the Table Base.
- Simple tab-release to separate the Ergo Steel // from the Table Base.
- Holds tightly to virtually any smooth flat surface.
- Compact size allows positioning of the Ergo Steel // close to the work space for maximum comfort and efficiency.
- Lightweight for easy portability allows use where it is needed most.
- Easy maintenance and cleaning.

# Ergo Steel // Table Base

The **PRIME**edge **HES-2-Base** Ergo Steel // Table Base is the ideal portable, removable, secure solution for positioning your Ergo Steel //. The Ergo Steel // simply “snaps” into the Table Base and is locked in place. To remove the Ergo Steel // from the Table Base, simply spread the tabs on the bottom of the Table Base apart. The Ergo Steel // Table Base holds firmly to virtually any smooth flat surface, is easily removable and can be moved from one work station to the next in seconds. The placement of the Ergo Steel // can now be tailored by each operator to provide maximum workflow, safety and comfort.



HES-2 Ergo Steel // and  
HES-2-Base



PRIME	Color
Part No. HES-2-BASE	White

**PRIME**edge®  
COZZINI CUTTING EDGES  
AND SHARPENING SOLUTIONS

877-322-EDGE(3343) • primedge.com • sales@primedge.com • Fax:224-265-6638

PRIMEedge, Inc. • Cutting Edges • Knife Sharpening Systems • Edge Maintenance Tools • Professional Sharpening Services  
Circular Blade & Grinder Plate Sharpeners • Grinder Plates, Knives & Accessories • Sanitizer/Bacteria Reduction Washing Systems