

HES-SB2 Stainless Steel Ergo Steel

The Original Edge Maintenance Innovation Now Available In Stainless Steel



ERGO
STEEL
EDGE MAINTENANCE TOOL
MODEL HES-SB2 • PAT. PEND



Optional bracket available
for bench mounted use

PRIMEEdge®

COZZINI CUTTING EDGES
AND SHARPENING SOLUTIONS

HES-SB2 Ergo Steel-Stainless

- All Stainless steel design for improved hygiene and durability.
- Electropolished finish reduces product adhesion and contamination build up.
- Compact, open design to reduce surface area.
- Wide knife entrance easily guides the blade to the 4 alignment rods for a perfect edge in seconds.
- Specially developed flexible stainless steel alignment rods provide superior durability for straightening knife edges.
- Aligns both sides of the blade simultaneously.
- Straightens and prolongs the edge life of knives of any length.
- Use hand-held, right or left-handed, or workstation mounted using the optional bracket.

PRIMEEdge®
COZZINI CUTTING EDGES
AND SHARPENING SOLUTIONS

877-322-EDGE(3343) • primedge.com • sales@primedge.com • Fax:224-265-6638

HES-SB2 Stainless Steel Ergo Steel

Whether you process chicken, beef, pork or fish, keeping knife edges sharp is essential on the processing line. With use, sharp knives will dull. The **PRIME**Edge **HES-SB2** Ergo Steel-*Stainless* is a fast and easy way to straighten and restore those knife edges for razor-sharp performance. The Ergo Steel-*Stainless* is an edge maintenance tool used on the production floor. Throughout the day, as a knife edge dulls, the operator can slide the blade through the unique spring-tensioned rods of the Ergo Steel **HES-SB2** and straighten the edge in a matter of seconds.

The Ergo Steel-*Stainless* consists of a pair of pivoting, specially developed flexible stainless steel alignment rods on a compact, electropolished base. Under each pivoting rod, spring mechanisms provide the perfect amount of tension between the knife edge and stainless steel rods. Both sides of the edge are straightened simultaneously, assuring a perfect edge in seconds. The smooth electropolished finish of the Ergo Steel-*Stainless* reduces product adhesion and contamination build up and allows for more thorough, easier cleaning.

Requires no training to use, the Ergo Steel-*Stainless* can be held comfortably and safely, right-or left-handed. The Ergo Steel-*Stainless*' handle can be effortlessly placed into the optional stainless steel 2-position bracket for bench-mount use.

Stainless steel is corrosion and rust resistant. Proper cleaning and sanitizing procedures must be followed to maintain the integrity of the Ergo Steel Stainless. The choice of cleaning method and the frequency of its application depends on the nature of the process, the product being processed, the deposits formed and hygiene requirements. Chemical disinfectants are often more corrosive than cleaning agents and care must be exercised in their use. Due to the variety of chemical disinfecting agents available, we strongly recommend an evaluation be performed to determine the effect of your cleaning agent, used at normal concentrations, on the stainless steel.



Use hand-held, right or left handed



Optional bracket installed for use at work table height

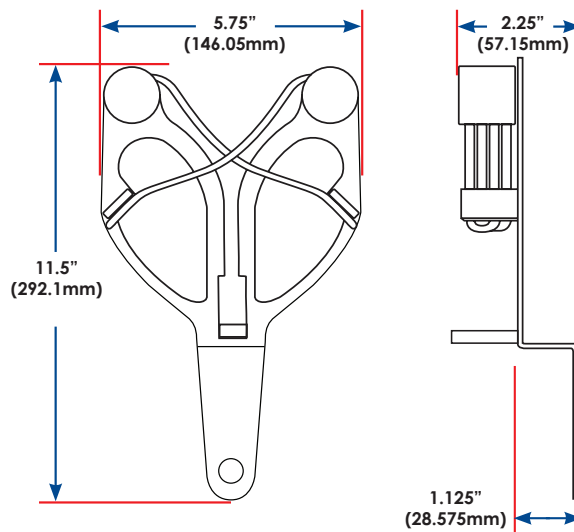


Optional bracket installed for use at elevated height



Part No.
HES-3B

Optional 2 position bracket (available separately) holds your HES-SB2 Ergo Steel-*Stainless* at perfect angles for tabletop or elevated height use.



PRIMEEdge
Part No.
HES-SB2 Stainless Steel

PRIMEEdge®
COZZINI CUTTING EDGES
AND SHARPENING SOLUTIONS

877-322-EDGE(3343) • primedge.com • sales@primedge.com • Fax:224-265-6638

PRIMEedge, Inc. • Cutting Edges • Knife Sharpening Systems • Edge Maintenance Tools • Professional Sharpening Services
Circular Blade & Grinder Plate Sharpeners • Grinder Plates, Knives & Accessories • Sanitizer/Bacteria Reduction Washing Systems