

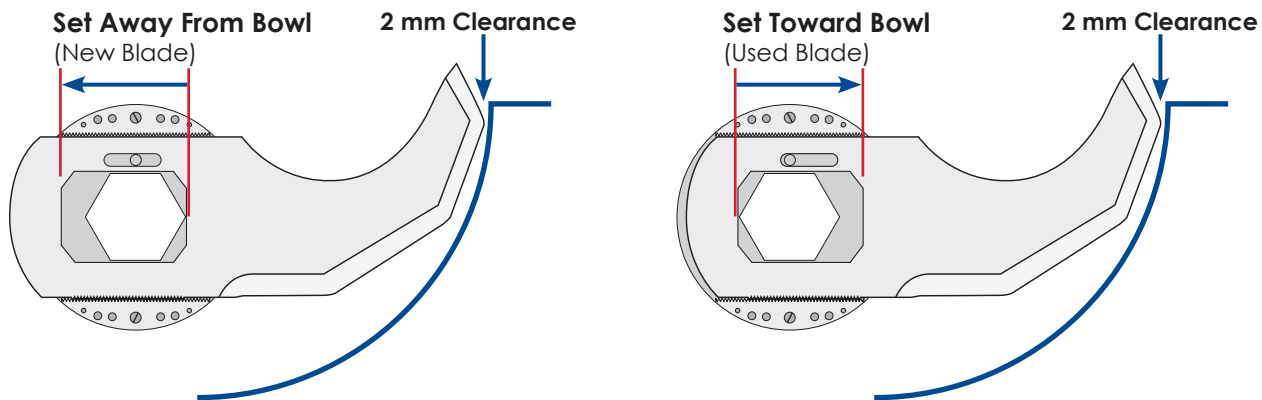
Bowl Chopper/Cutter Blades

Ordering Guide: GW Steffens® Securit® Blade System

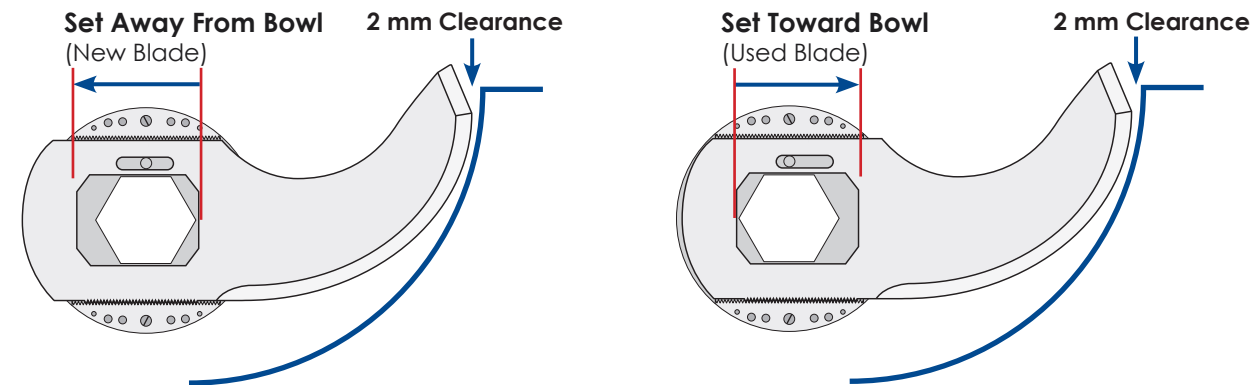


- Adaptable to any bowl cutter
- Shorter cutting performance
- Better emulsion
- Reduced power consumption
- Long knife life
- Simple to install and adjust to bowl
- Uniform comminution
- Better temperature control
- Security against knife movement
- Multiple knife patterns possible

Securit® 4-Cut Style — Recommended for Fine Emulsions



Securit® Taifun Style — Recommended for Coarse Cuts



Liter Size	Radius (mm)
8 to 14	100 to 125
15 to 28	126 to 150
30 to 38	151 to 160
40 to 55	161 to 180
60 to 70	181 to 195
75 to 85	196 to 210
90 to 110	211 to 220
115 to 135	221 to 230
140 to 165	231 to 245
170 to 190	246 to 260
195 to 210	261 to 276
220 to 260	277 to 285
270 to 300	286 to 300
310 to 400	301 to 325
410 to 500	326 to 350
510 to 600	351 to 400
610 to 750	401 to 450
760 to 1200	451 to 500