

HE1 Knife Sharpening System

Compact sharpening system for lighter duty usage sharpening up to 50 knives per day



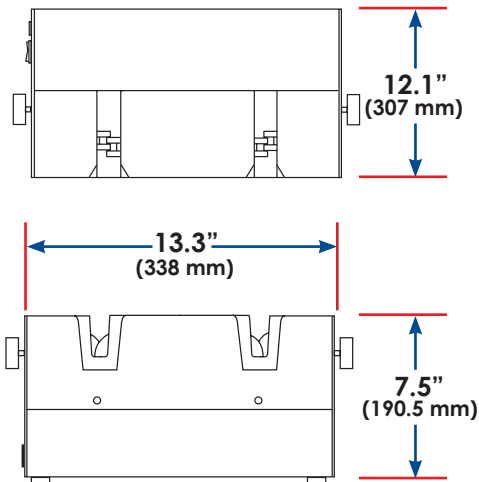
PRIMEEdge[®]
COZZINI CUTTING EDGES
AND SHARPENING SOLUTIONS

HE1 Knife Sharpening System

- For supermarkets, hardware stores and plants that sharpen 50 knives per day or less.
- Affordable, compact tabletop unit that combines honing and edging capabilities.
- Sharpens blades of any length.
- Easy assembly/disassembly and maintenance.
- CE approved.

HE1 Knife Sharpening System

For smaller supermarkets, hardware stores and plants that sharpen 50 knives per day or less, the **PRIME**Edge HE1 Knife Sharpening System is an economical, compact tabletop unit that combines grinding and honing capabilities. The low-maintenance HE1 sharpens knives of any length and ensures consistent cutting edges. Weighing only 29 pounds (13 kg) and measuring 13.3" x 12.1" x 7.5" (338 x 307 x 190.5 mm), the HE1 easily fits your workstation and your budget.



HE1 Knife Sharpening System		
<i>Voltage</i>	<i>Frequency</i>	<i>Service Amps</i>
110 V	60 Hz	7.5 A
220 V	50 Hz	7.5 A

PRIMEEdge[®]
COZZINI CUTTING EDGES
AND SHARPENING SOLUTIONS

877-322-EDGE(3343) • primedge.com • sales@primedge.com • Fax:224-265-6638

PRIMEEdge, Inc. • Cutting Edges • Knife Sharpening Systems • Edge Maintenance Tools • Professional Sharpening Services
Circular Blade & Grinder Plate Sharpeners • Grinder Plates, Knives & Accessories • Sanitizer/Bacteria Reduction Washing Systems